

Product availability: Stock - Normally stocked in distribution facility



### Main

Range of Product	Modicon STB distributed I/O solution
Product or Component Type	Standard analog output kit
Kit composition	STBXTS2100, 6-terminal spring clamp connector STBXTS1100, 6-terminal screw type connector STBXBA2000 base STBACO0220 module
Analogue output type	Current 4...20 mA
Analogue output number	2
Analogue output resolution	15 bits + sign

### Complementary

Analogue output current	0.02 A
Response Time	4 ms
Cold swapping	Yes
Hot swapping fallback	Yes for standard NIMs
Fallback status	State 0 basic NIMs User configurable standard NIMs
Data format	EN 61131-2 IEC 61131-2
Update time	8 Ms
Conversion time	4 ms for both channels
Integral linearity	+/- 0.5 %FS
Differential linearity	Monotonic
Absolute accuracy error	+/- 0.3 % of full scale 77 °F (25 °C)
Temperature Drift	+/-0.005 %/°C
Insulation between channels and logic bus	1500 V for 1 minute
Insulation between channels and actuator bus	200 V
Product Compatibility	Power distribution module STBPDT3100/3105 Mounting base STBXBA1000
[Us] rated supply voltage	24 V DC
Supply	Power distribution module
Current consumption	210 mA at 5 V DC for logic bus

Marking	CE
Overtoltage category	II
Status LED	Module status (RDY) 1 LED Green) Module error (ERR) 1 LED Red)
Maximum Depth	2.76 In (70 mm)
Maximum Height	0.72 In (18.4 mm)
Maximum Width	5.05 In (128.3 mm)

## Environment

Product Certifications	CSA UL FM Class 1 Division 2
Pollution degree	2 IEC 60664-1
Operating altitude	<= 6561.68 ft (2000 m)
IP degree of protection	IP20 conforming to EN 61131-2 class 1
Ambient air temperature for operation	32...140 °F (0...60 °C) without)
Ambient air temperature for operation	32...140 °F without
Ambient air temperature for storage	-40...185 °F (-40...85 °C) without
Ambient air temperature for storage	-40...185 °F without
Relative humidity	95 % 140 °F (60 °C) without condensation
Vibration resistance	3 gn 58...150 Hz 35 x 7.5 mm symmetrical DIN rail 5 gn 58...150 Hz 35 x 15 mm symmetrical DIN rail +/-0.35 mm 10...58 Hz
Shock resistance	30 gn 11 ms IEC 88 reference 2-27

## Ordering and shipping details

Category	18215 - ADVANTYS STB I/O
Discount Schedule	PC32
GTIN	03595863948769
Nbr. of units in pkg.	1
Package weight(Lbs)	4.97 Oz (141 g)
Returnability	Yes
Country of origin	ID

## Packing Units

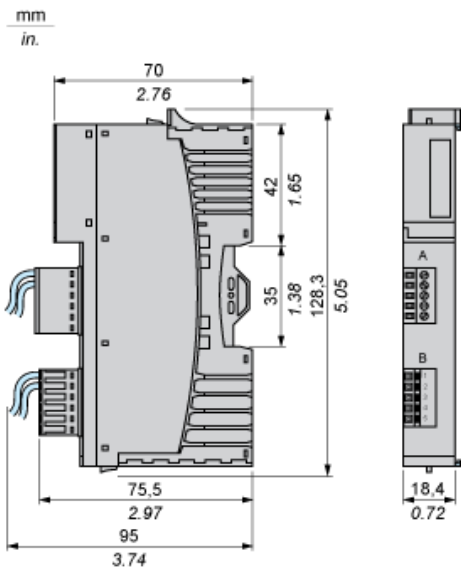
Unit Type of Package 1	PCE
Package 1 Height	1.06 In (2.7 cm)
Package 1 width	3.15 In (8 cm)
Package 1 Length	5.12 In (13 cm)

## Offer Sustainability

Sustainable offer status	Green Premium product
California proposition 65	WARNING: This product can expose you to chemicals including: Lead and lead compounds, which is known to the State of California to cause cancer and birth defects or other reproductive harm. For more information go to <a href="http://www.P65Warnings.ca.gov">www.P65Warnings.ca.gov</a>
REACH Regulation	<a href="#">REACH Declaration</a>
EU RoHS Directive	Pro-active compliance (Product out of EU RoHS legal scope) <a href="#">EU RoHS Declaration</a>
Mercury free	Yes
RoHS exemption information	<a href="#">Yes</a>
China RoHS Regulation	<a href="#">China RoHS Declaration</a>
Environmental Disclosure	<a href="#">Product Environmental Profile</a>

Circularity Profile	<a href="#">End Of Life Information</a>
WEEE	The product must be disposed on European Union markets following specific waste collection and never end up in rubbish bins.
<b>Contractual warranty</b>	
Warranty	18 months

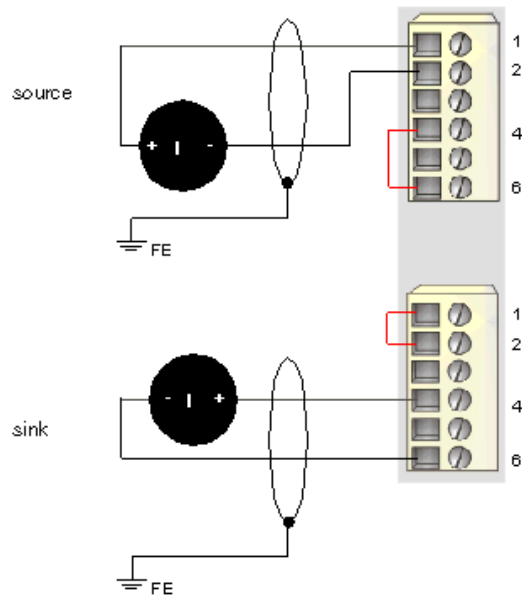
Dimensions



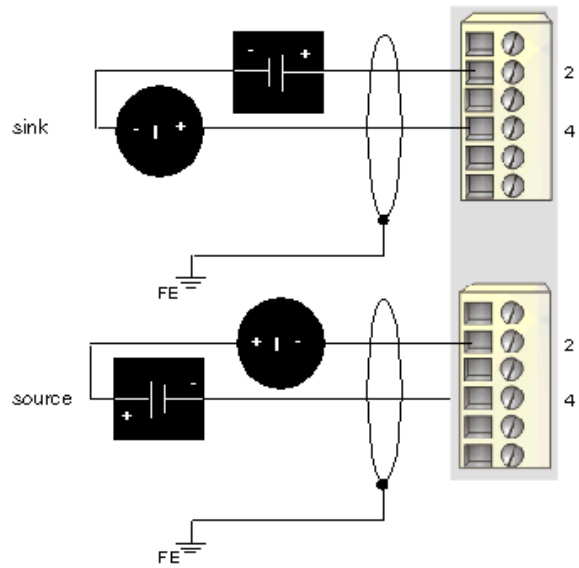
Wiring Diagrams

Examples

2 non-isolated analog actuators, 24 VDC supplied by the PDM



2 isolated analog actuators, external 24 VDC power supply



Pin	Top Connections	Bottom Connections
1	+24 VDC loop supply	+24 VDC loop supply
2	output to actuator 1	output to actuator 2
3	no connection	no connection
4	output channel return	output channel return

Pin	Top Connections	Bottom Connections
5	no connection	no connection
6	loop power return (to the module)	loop power return (to the module)

Product Life Status : **Commercialised**